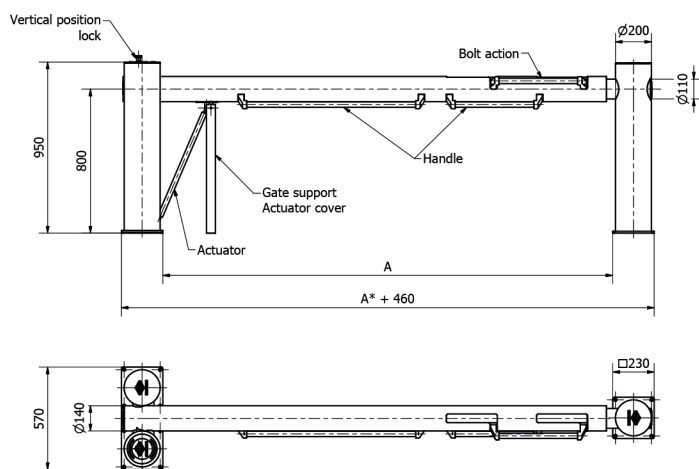


A gate to secure access  
to the loading dock to  
prevent collisions.

# STELLA GATE



**Material:**  
Hard-Flexx® polymeric

**Color:**  
RAL1021

**Foot dimension:**  
230 x 570 mm

**Method of opening:**  
Assisted by a gas spring

Column H = 950 mm  
Lmin = 2000 mm

Beams H = 800 mm  
Lmax = 3000 mm

Anchoring to the floor using RLX-12X100 concrete  
screws